

पेटेंट कार्यालय
शासकीय जर्नल

**OFFICIAL JOURNAL
OF
THE PATENT OFFICE**

निर्गमन सं. 47/2024
ISSUE NO. 47/2024

शुक्रवार
FRIDAY

दिनांक: 22/11/2024
DATE: 22/11/2024

पेटेंट कार्यालय का एक प्रकाशन
PUBLICATION OF THE PATENT OFFICE

(54) Title of the invention : A Feature Selection System and Method with Incremental Feature Clustering In High-Dimensional Datasets

(51) International classification :G06F0016220000, G06N0007010000, G06Q0030024200, G06F0018230000, G06V0010764000

(86) International Application No :NA
Filing Date :NA

(87) International Publication No : NA

(61) Patent of Addition to Application Number :NA
Filing Date :NA

(62) Divisional to Application Number :NA
Filing Date :NA

(71)Name of Applicant :
1)Amit Kumar Saxena
Address of Applicant :Professor, Computer Science and Information Technology, Guru Ghasidas Vishwavidyalaya, Bilaspur-495009, Chhattisgarh, India. Bilaspur -----

Name of Applicant : NA
Address of Applicant : NA

(72)Name of Inventor :
1)Damodar Patel
Address of Applicant :Research Scholar, Computer Science and Information Technology, Guru Ghasidas Vishwavidyalaya, Bilaspur-495009, Chhattisgarh, India Bilaspur -----

2)Suman Laha
Address of Applicant :Assistant Professor, Computational Sciences, Brainware University, Barasat, Kolkata-700125, West Bengal, India. Kolkata -----

3)Abhishek Dubey
Address of Applicant :Lecturer, College of Computing and Information Sciences, Information Technology Department, University of Technology and Applied Sciences, Salalah, Sultanate of Oman. -----

4)Utpal Roy
Address of Applicant :Professor, Computer and System Sciences, Visva-Bharati University, Santiniketan- 731235, West Bengal, India Santiniketan -----

5)Rajeshwar Prasad
Address of Applicant :Research Scholar, Computer Science and Information Technology, Guru Ghasidas Vishwavidyalaya, Bilaspur-495009, Chhattisgarh, India Bilaspur -----

6)Prashant Vaishnav
Address of Applicant :Assistant Professor, Computer Science and Information Technology, Guru Ghasidas Vishwavidyalaya, Bilaspur-495009, Chhattisgarh, India Bilaspur -----

(57) Abstract :

ABSTRACT: Title: A Feature Selection System and Method with Incremental Feature Clustering In High-Dimensional Datasets The present disclosure proposes a feature selection system (100) and method with incremental feature clustering in high-dimensional datasets. The feature selection system (100) comprises a computing device (102) having a processor (104) and a memory (106). The processor (104) is configured to execute one or more instructions to perform operations using plurality of modules (108). The modules (108) comprises a clustering module (110), an evaluation module (112), a selection module (114), a classification module (116), and a control module (118). The proposed feature selection system (100) utilizes incremental feature clustering for high-dimensional datasets. The feature selection system (100) improves accuracy and also decreases the time and computational power required for model training, which is beneficial in resource-constrained environments or when working with extremely large datasets.

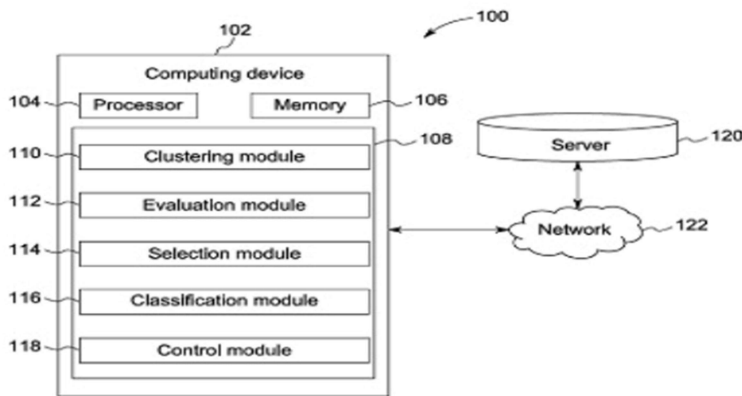


FIG. 1

No. of Pages : 24 No. of Claims : 4